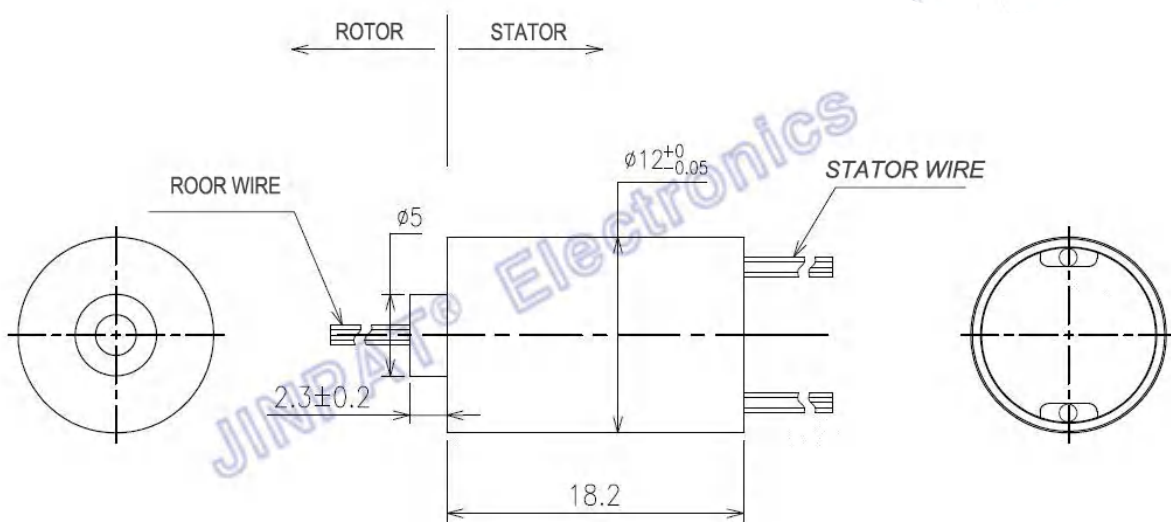
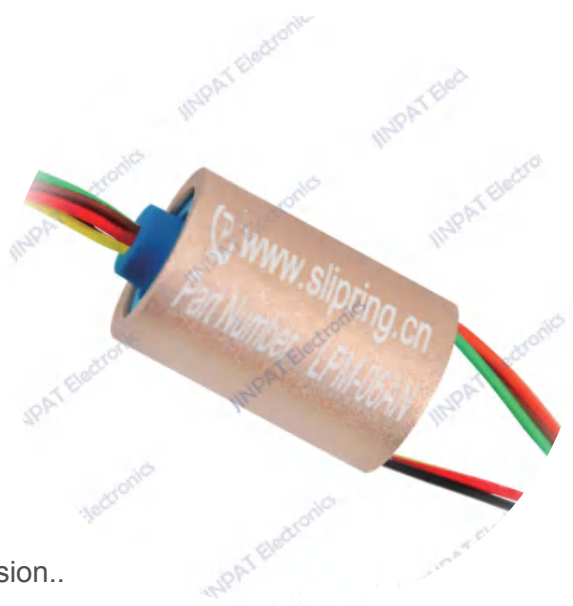


JINPAT high end metal slip ring is a high end slip ring series by JINPAT Electronics. This slip ring series is an upgraded version of JINPAT standard slip rings. The electronic performance is greatly improved. Adopt edge-cutting high standard surface processing technique. Aluminum alloy is chosen as housing material. The slip rings are greatly enhanced in its function and precision..



Electronic & Electric		Mechanical	
Number of Circuits	6	Working Speed	0~300rpm
Voltage	110VAC/DC	Contact Material	Gold to Gold
Current	2A/Channel	Housing Material	Alluminium Alloy
Dielectric Strength	≥200V@@50Hz	Wire Tpe	AWG28
Insulation Resistance	50 MΩ@200VDC	Wire Length	300mm Criterion
Environment		Remarks	
Working Temperature	-20°C~+80°C	Applications	Drones, Camera stabilizer, Robots
Working Humidity	≤60%RH	Life Span	≥50,000,000revolutions (forreference)
IP	IP40 or higher	Dynamic Contact Resistance	≤20mΩ