



Datesheet of Milvent Snap In Breather Plugs

MIV SERIES

Actual Picture



Actual Application



Performance:

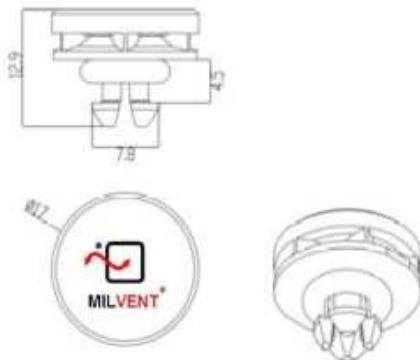
- >Block ingress of wide range of contaminants,from rain and insects to dirt,dust,sand and other particulates,
- >can diffuse water vapor molecules the microporous membrane
- >IP 68 protection class(2 meters/60 min.) and -40° C to +125° C
- >operating temp.range.Best to use under the tough environment.
- >Simple and flat design meets any type of enclosures.
- >Installing on the side face of enclosures is effective for outdoor use.

Three Color and code

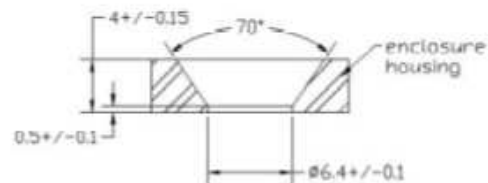
Black

B

Body



Assembly Dimensions



Part No.	MIV-15	MIV-15HA	MIV-15HAT High Temp -45°~152°	MIV-15HAT0 High Temp and no logo
Typical airflow ml/min(dp=70mbar)	450	2000	2000	2000
Water entry pressure bar/30sec	0.6	0.3	0.3	0.3
Material	Body:PBT+PTFE+SILICONE			
Enviromental performance	IP66.IP67.IP68(Immersion:2meters/60min.)IP69K -40°C~+125°C 85%.85%humidity-1000 hours Humidity freeze-High temperature,Hail impact test. 94V0			