



MIV SERIES

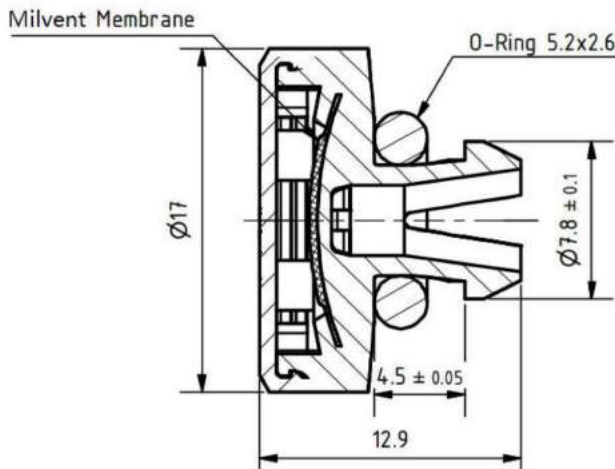
Ventilation parts

MIV-15S Snap In Vents

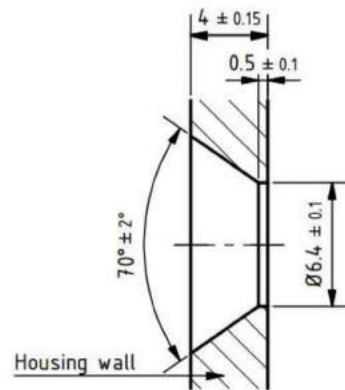


- **Snap Fit Vents** reliably block ingress of wide range of contaminants, from rain and insects to dirt, dust, sand and other particulates, and enable water vapor molecules to diffuse through the microporous membrane, and pass freely out of the enclosure.
- IP68 protection class (2 meters / 60 min.) and **-40°C-125°C** operating temp. range. Best to use under the tough environment.
- Installing on the side face of enclosures is effective for outdoor use.

Design and Dimensions



Recommended Installation



Technical data

Part no.	MIV-15S
Typical airflow	>15l/h at 7kpa
Water entry pressure	0.6 bar / 30 sec
Recommended torque	0.6 ~ 0.8 Nm
Environmental performance	IEC529, 2nd (Protection class) : IP66 · IP67 · IP68 (Immersion : 2 meters / 1h) · IP69K IEC60068-2-1, 2, 14 (Heat resistance) : -40°C~150°C IEC600-2-78 (Humidity testing) : 85°C · 85% humidity - 1,000 hours UL94HB

Part no. / Components

Part no.	Material		
	① Housing	② Membrane	③ O-ring
MIV-15S	PBT	PTFE	Silicone