

MIV SERIES

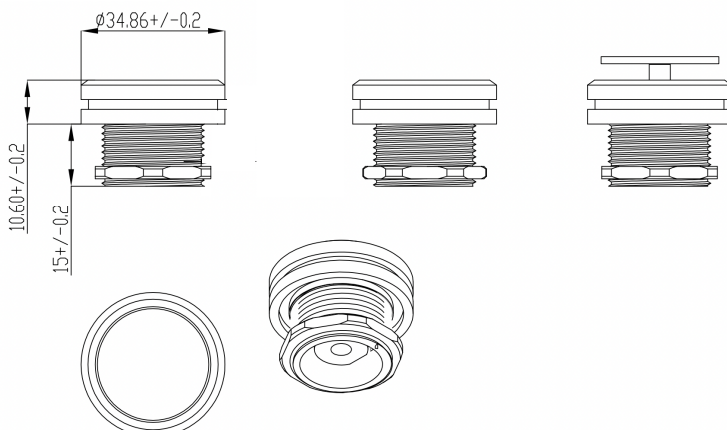
Venting for Energy Storage

MIV-25ALEX for Battery Pack



application

- >Maintain high airflow in large EV Battery Pack .
- >Equalize pressure and reduce condensation by allowing air to flow freely into and out of sealed large enclosures.
- >AL Material and UL94V0 Grade.
- >IP67,IP68,IP69K and -40 ° C to +125 ° C operating temp.range.Best to use under the tough environment.
- >Can Open and pop-up the cover to release higher airflow when heating up under an abnormal status.
- >Installing on the side/Flat face of enclosures is effective for outdoor use.



Pop up
it can recovery
when pressure release

Technical Data

Typical airflow	12l/min(dp=7mbar)
POP-UP Pressure for Abnormal Status to release more higher airflow	100~200mbar With 2PCS can meet venting hole size of 2000mm ² @2bar and vent all the gases out in 3s.
IP Protecting Grade	IP67,IP68,IP69K
Recommended torque	1N.m
Enviromental performance	IEC529, 2nd(Protection class):IP66,IP67,IP68(Immersion:2meters/60min.)IP69K IEC60068-2-1,2,14(Heat resistance):-40°C~+125°C IEC600-2-78(Humidity testing):85%.85%humidity-1000 hours UL94V-0f1(Flame resistant)

Part no./Components

Part no.	Material				G		Sales unit
	① Housing	② Membrane	③ Gasket	④ Lock nut	Thread size	Mount hole	
MIV-25ALEX	AL	PTFE	Silicone	Brass in Nickel And 3mm thickness	M25x1.5	25+/-0.1mm	100
MIV-25ALEX-NA (NO LOGO)							