

MIV SERIES

Venting for Energy Storage

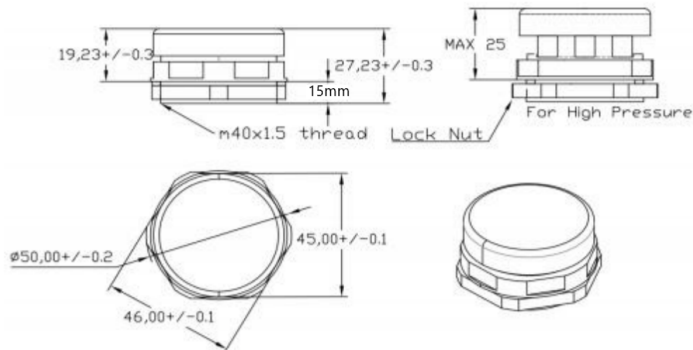
MIV-4015EXB for Battery Pack



application

- >Maintain high airflow in large EV Battery Pack .
- >Equalize pressure and reduce condensation by allowing air to flow freely into and out of sealed large enclosures.
- >PA6 Material and UL94V0 Grade.
- >IP67,IP68,IP69K and -40 ° C to +125 ° C operating temp.range.Best to use under the tough environment.
- >Can Open and pop-up the cover to release higher airflow when heating up under an abnormal status.
- >Installing on the side/Flat face of enclosures is effective for outdoor use.

Pop up
it can recovery
when pressure release



Technical Data

How it works(video):

https://www.milvent.com/m40-Battery-Pack-Vents.html#_pp=2_331

Typical airflow	12l/min(dp=7mbar)
POP-UP Pressure for Abnormal Status to release more higher airflow	100~200mbar With 2PCS can meet venting hole size of 2000mm ² @2bar and vent all the gases out in 3s.
IP Protecting Grade	IP67,IP68,IP69K
Recommended torque	1N.m
Enviromental performance	IEC529,2nd(Protection class):IP66,IP67,IP68(Immersion:2meters/60min.)IP69K IEC60068-2-1,2,14(Heat resistance):-40°C~+125°C IEC600-2-78(Humidity testing):85%.85%humidity-1000 hours UL94V-0f1(Flame resistant)

Part no./Components

Part no.	Material				G		SW	Sales unit
	① Housing	② Membrane	③ Gasket	④ Lock nut	Thread size	Mount hole		
MIV-4015EXB	PA6 V0 15mm thread length	PTFE	Silicone	PA6 V0 ultra thin and thickness 3mm	M40x1.5- 15mm	40+/-0.1mm	45	100
MIV-40EXB-PBT (BLACK)	PA6 V0	PTFE	Silicone		M40x1.5- 8mm	40+/-0.1mm		
MIV-40EXB-PBT (No Logo)								