

MIV Metal Breather Plugs

Actual Picture

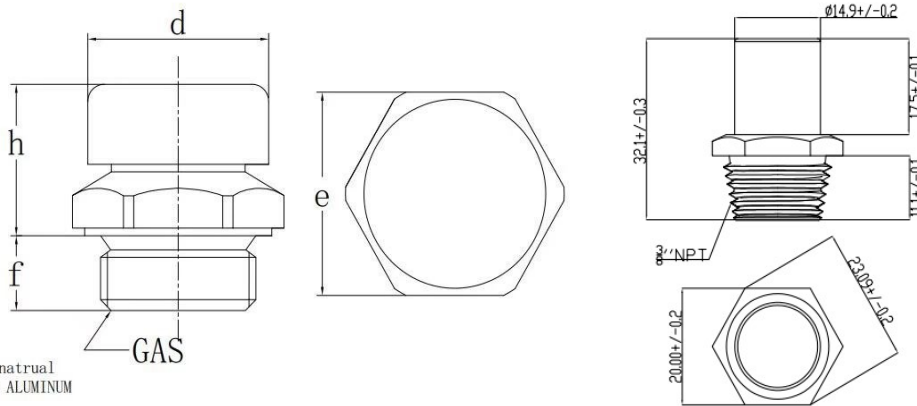


Performance:

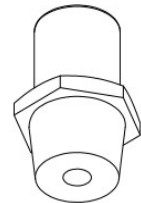
- >Block ingress of wide range of contaminants,from rain and insects to dirt,dust,sand and other,particulates,
- >IP 67 protection class(1meters/30 min.) and -40°C to $+125^{\circ}\text{C}$
- >operating temp.range.Best to use under the tough environment.
- >Installing on the side face of enclosures is effective for outdoor use.
- >Breather plug with aluminum cover and specially-designed internal valve with an inox spring,calibrated from 0.05 to 0.10 bar, which opens at intervals to vent internal pressure created by fluid turbulence and keep out foreign bodies.

It is especially recommended for applications on Speed-shift Gears, Agricultural over-Gears and Industrial Speed-Reduction Gearboxes,a low pressure air supply system.

Dimensions



Note:
Color:AL natrual
Material: ALUMINUM



Part No.	Thread	d	h	f	e	Start Vent	Enviromental performance
MIV-TSS0G	1/8"	16.5	16	8	14	7kpa	IP66.IP67(Immersion:1meters/30min.) -40°C → $+125^{\circ}\text{C}$ 85%.85%humidity-1000 hours High temperature,Hail impact test.
MIV-TSS1G	1/4"	16.5	17	9	17	7kpa	
MIV-TSS2G	3/8"	22	19	11	22	7kpa	
MIV-CV-3-8NPT-MS	NPT3/8" Brass In Nickel Plate	14.9	22	11.1	20	0.4kpa	
MIV-TSS3G	1/2"	26	20	11	27	7kpa	
MIV-TSS4G	3/4"	30	24	12	32	7kpa	
MIV-TSS5G	1"	38	29	14	40	7kpa	
MIV-12MSOV	M12x1.5	22.1	29	6	22.1	7kpa	
MIV-G1/4OV	MIV-G1/4B PLASTIC	22.1	29	6	22.1	7kpa	

Other sizes please check with us.We can OEM any sizes for you rapidly within 2weeks.

www.milvent.com; milvent@milvent.com

+8618218369198