



# Datesheet of Milvent Screw Vents

## MIV SERIES

### Actual Picture



### Actual Application

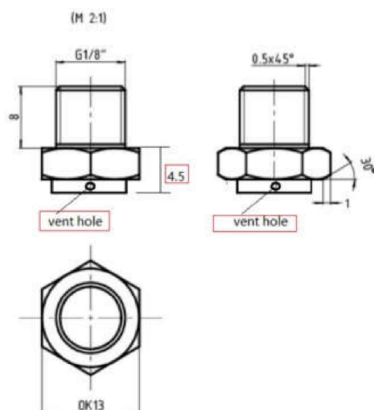


#### Performance:

- >Block ingress of wide range of contaminants,from rain and insects to dirt,dust,sand and other particulates,
- >can diffuse water vapor molecules the microporous membrane
- >IP 68 protection class(2 meters/60 min.) and -40 ° C to +125 ° C
- >operating temp.range.Best to use under the tough environment.
- >Simple and flat design meets any type of enclosures.
- >Installing on the side face of enclosures is effective for outdoor use.

**Body** :SUS303 OR Bra:

**Gasket:** Flat Gasket



Part No.	MIV-G1-8MSUS	MIV-G1-8MS	MIV-G1-8B				
Thread Type	G1/8"	G1/8"	G1/8"				
Typical airflow ml/min(dp=70 mbar)	450	450	450				
Water entry pressure bar/30sec	0.3	0.3	0.3				
Body material	SUS303	Brass In Nickel Plate	Plastic POM				
Recommended torque	0.7Nm						
Material	Body:METAL +SILICONE						
Enviromental performance	IP66.IP67.IP68(Immersion:2meters/60min.): IP69K -40 ° C~+125 ° C 85 ° .85%humidity-1000 hours Humidity freeze-High temperature,Hail impact test.						