

MIV SERIES

Ventilation parts

MIV-VE06 Supra Vent

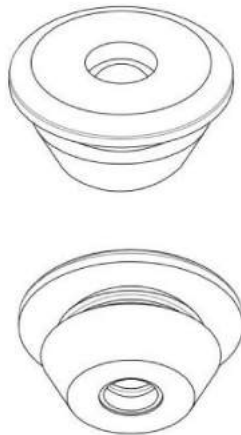
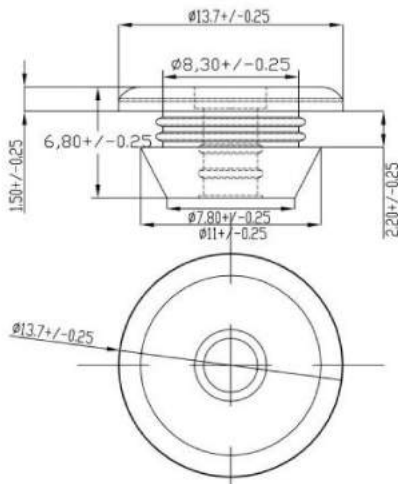


MOTOR
APPLICATION
EXAMPLE

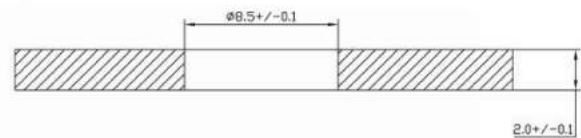


- **Supra Vent** reliably block ingress of wide range of contaminants, from rain and insects to dirt, dust, sand and other particulates, and enable water vapor molecules to diffuse through the microporous membrane, and pass freely out of the enclosure.
- IP68 protection class (2 meters / 60 min.) and -40°C to $+125^{\circ}\text{C}$ operating temp. range. Best to use under the tough environment.
- Installing on the side face of enclosures is effective for outdoor use.

Dimension:



Installation:



Technical data

Part no.	MIV-VE06
Typical airflow	35 ml/min@7kpa
Water entry pressure	> 300mbar
Recommended torque	0.6 ~ 0.8 Nm
Environmental performance	IEC529, 2nd (Protection class) : IP66 · IP67 · IP68 (Immersion : 2 meters / 1h) · IP69K IEC60068-2-1, 2, 14 (Heat resistance) : -40°C ~ $+125^{\circ}\text{C}$ IEC600-2-78 (Humidity testing) : 85°C · 85% humidity - 1,000 hours UL94V-0 f1 (Flame resistant)

Part no. / Components

Part no.	Material	
	① Housing	② Membrane
MIV-VE06	Silicone Rubber	PTFE