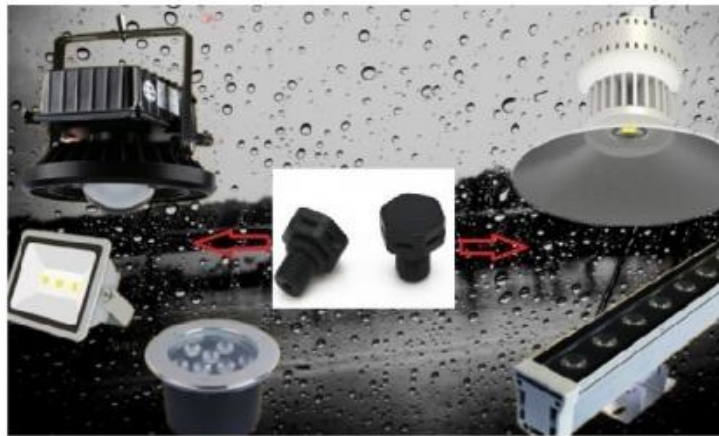


MIV SERIES

Ventilation parts

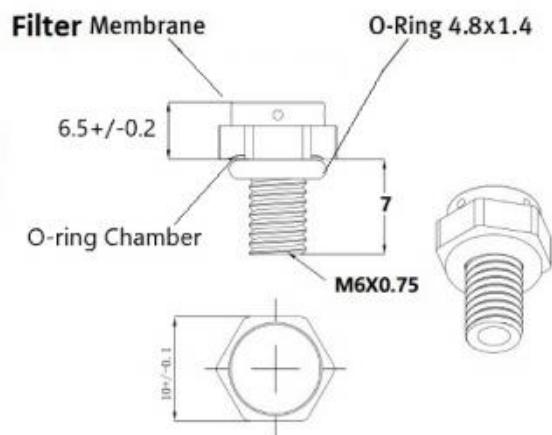
MIV-06MB-0.75-7-C



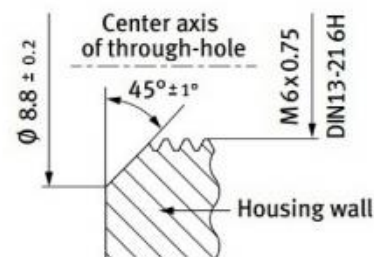
- Protective Vents reliably block ingress of wide range of contaminants, from rain and insects to dirt, dust, sand and other particulates, and enable water vapor molecules to diffuse through the microporous membrane, and pass freely out of the enclosure.
- IP68 protection class (2 meters / 60 min.) and -40°C to $+125^{\circ}\text{C}$ operating temp. range. Best to use under the tough environment.
- Installing on the side face of enclosures is effective for outdoor use.

Dimensions

Installation



M6 x 0.75 DIN13-21 6g



Recommended torque:
 0.7 ± 0.1 Nm

- Applicable wall thickness is up to 4.0mm when using the lock nut.

Technical data

Part no.	MIV-06MB-0.75-7-C
Typical airflow	200ml / min (dp = 70mbar)
Water entry pressure	0.6 bar / 30 sec
Recommended torque	0.3 Nm
Environmental performance	IEC529, 2nd (Protection class) : IP66 · IP67 · IP68 (Immersion : 2 meters / 1h) · IP69K IEC60068-2-1, 2, 14 (Heat resistance) : -40°C ~ $+125^{\circ}\text{C}$ IEC600-2-78 (Humidity testing) : 85°C · 85% humidity - 1,000 hours

Part no. / Components

Part no.	Material			Remark	G	
	① Housing	② Membrane	③ O-ring		Thread size	Mount hole
MIV-06MB-0.75-7	Brass In Nickel Plate	PTFE	Silicone	No O-ring Chamber	M6*0.75	Φ 6
MIV-06MB-0.75-7-C	Brass In Nickel Plate	PTFE	Silicone	O-ring Chamber	M6*0.75	Φ 6