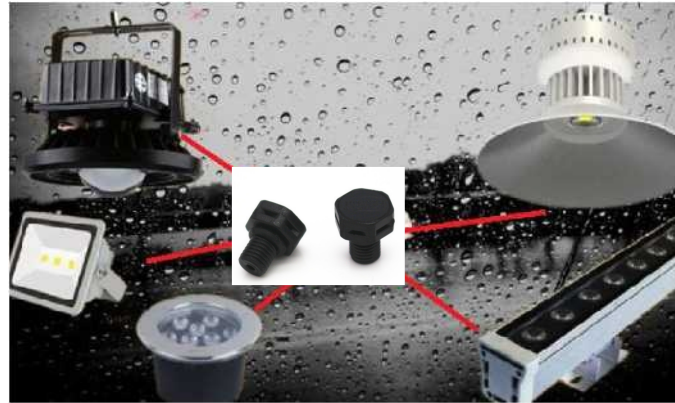


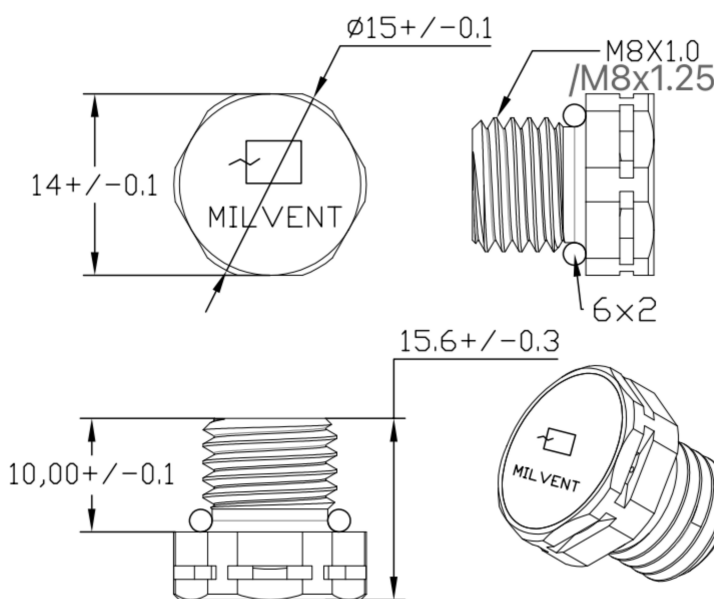
MIV SERIES

Ventilation parts

MIV-08 PROTECTIVE VENT



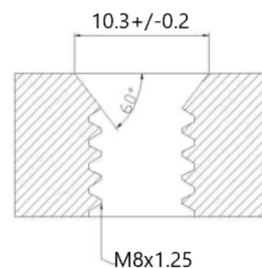
- Protective Vents reliably block ingress of wide range of contaminants, from rain and insects to dirt, dust, sand and other particulates, and enable water vapor molecules to diffuse through the microporous membrane, and pass freely out of the enclosure.
- IP68 protection class (2 meters / 60 min.) and -40°C to +125°C operating temp. range. Best to use under the tough environment.
- Installing on the side face of enclosures is effective for outdoor use.



Three Color and code

Light Grey	
Black	B
Basalt Grey	BG
White	

**Installation Recommendation
for thickness ≥ 3mm**



Part no. / Components

Part no.	Material			G	
	① Housing	② Membrane	③ O-ring	Thread size	Mount hole
MIV-08B	PA6	PTFE	Silicone	M8X1.25	M8x1.25
MIV-0810B	PA6	PTFE	Silicone	M8x1.0	M8x1.0

Torque: 0.6Nm
IP66.IP67.IP68(Immersion:2meters/60min.)IP69K
-40°C~+125°C
85%.85%humidity-1000 hours
Humidity freeze-High temperature,Hail impact test. 94V0

Airflow: 500ml/min at $\Delta p=7\text{kpa}$ and Water Entry Pressure: $> 30\text{Kpa}$