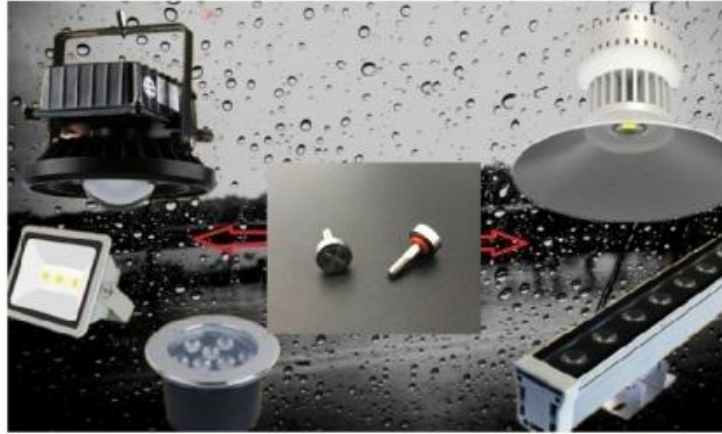


MIV SERIES

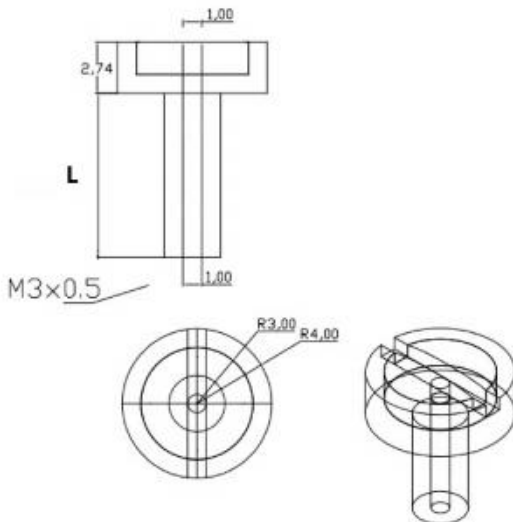
Ventilation parts

MIV-03 PROTECTIVE VENT



- Protective Vents reliably block ingress of wide range of contaminants, from rain and insects to dirt, dust, sand and other particulates, and enable water vapor molecules to diffuse through the microporous membrane, and pass freely out of the enclosure.
- IP68 protection class (2 meters / 60 min.) and -40°C to $+125^{\circ}\text{C}$ operating temp. range. Best to use under the tough environment.
- Installing on the side face of enclosures is effective for outdoor use.

Dimensions



Installation



Technical data

	12mm thread Length	8mm thread Length	4.5 thread Length
Part no.	MIV -03MSUS-12	MIV -03MSUS-08	MIV -03MSUS
Typical airflow	50 ml / min (dp = 70mbar)		
Water entry pressure	0.6 bar / 30 sec		
Recommended torque	0.3 Nm		
Environmental performance	IEC529, 2nd (Protection class) : IP66 · IP67 · IP68 (Immersion : 2 meters / 1h) IEC60068-2-1, 2, 14 (Heat resistance) : -40°C ~ $+105^{\circ}\text{C}$ IEC600-2-78 (Humidity testing) : 85°C · 85% humidity - 1,000 hours		

Part no. / Components

Part no.	Material			G	
	① Housing	② Membrane	③ O-ring	Thread size	Mount hole
MIV-03MSUS-12	SUS303	PTFE	Silicone	M3x0.5-12mm	$\Phi 3.2$